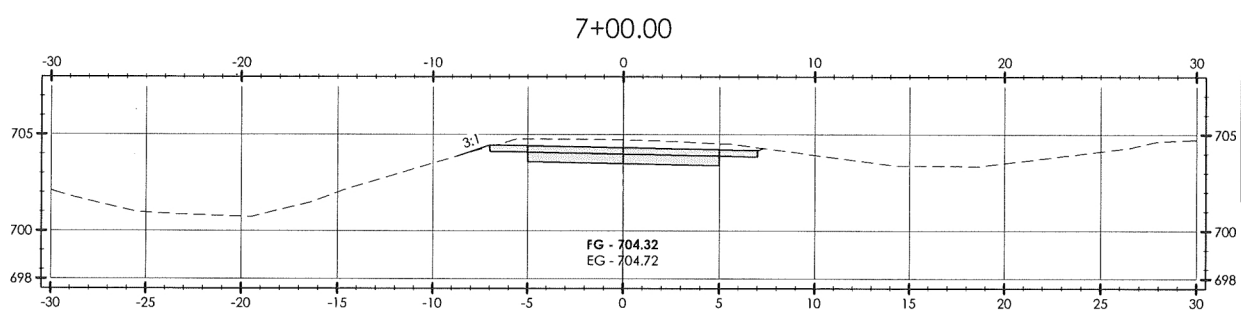
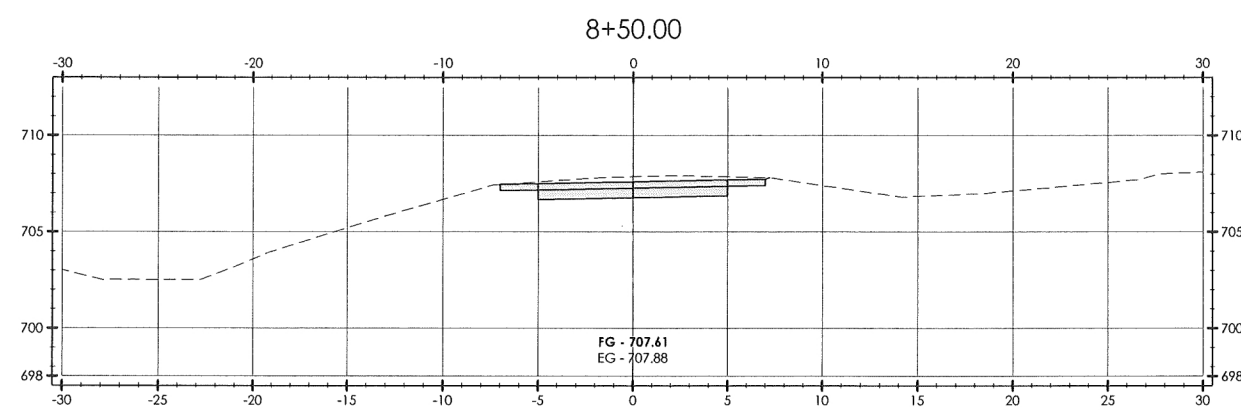


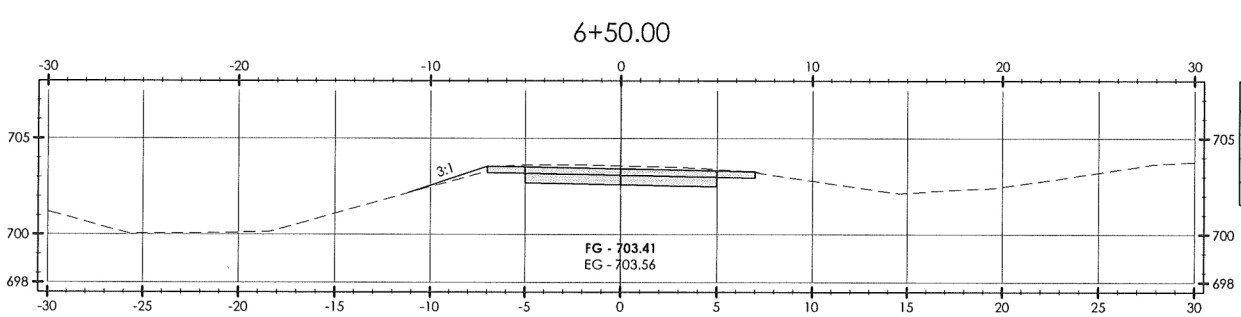
OKLAHOMA DEPARTMENT OF TRANSPORTATION					
FED. ROAD DIST. NO.	STATE	PROJ. NO.	FISCAL YEAR	SHEET NO.	TOTAL SHEETS
6	OKLA	28844(04)			
DESCRIPTION			REVISIONS	DATE	



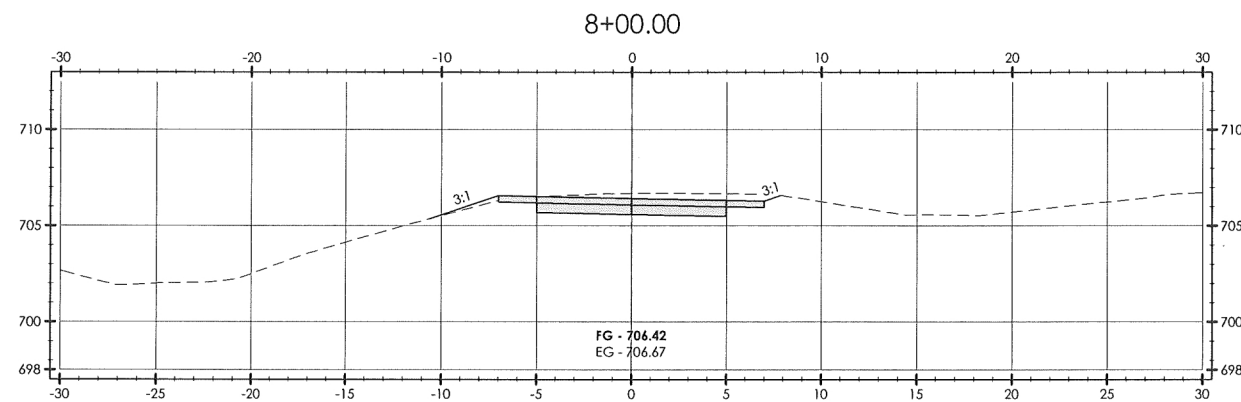
Trail Station 7+00.00	
Cut Area	14.76 SF
Cut Vol	24.28 CY
Fill Area	0.08 SF
Fill Vol	0.64 CY



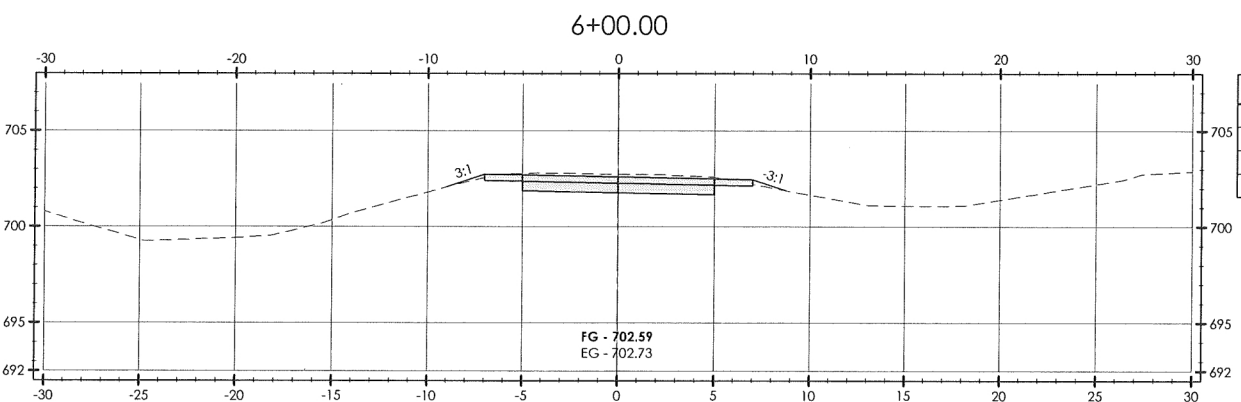
Trail Station 8+50.00	
Cut Area	12.53 SF
Cut Vol	23.49 CY
Fill Area	0.00 SF
Fill Vol	0.05 CY



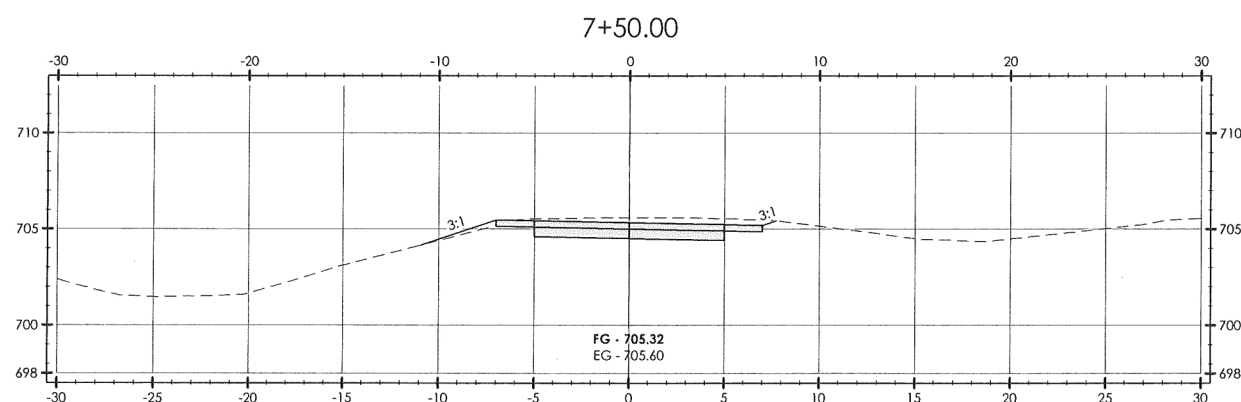
Trail Station 6+50.00	
Cut Area	11.45 SF
Cut Vol	20.95 CY
Fill Area	0.61 SF
Fill Vol	1.01 CY



Trail Station 8+00.00	
Cut Area	12.84 SF
Cut Vol	24.12 CY
Fill Area	0.05 SF
Fill Vol	0.63 CY

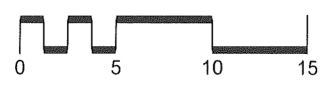


Trail Station 6+00.00	
Cut Area	11.17 SF
Cut Vol	19.80 CY
Fill Area	0.48 SF
Fill Vol	2.65 CY



Trail Station 7+50.00	
Cut Area	13.21 SF
Cut Vol	25.90 CY
Fill Area	0.63 SF
Fill Vol	0.66 CY

F:\582 Sand Springs Park Road Trail\Final\Civil 3D - Base Files\ParkRoadTrail\Base1-Final-R1.dwg, 8/12/2017 2:58:21 PM



City of Sand Springs - Park Road Trail		PREPARED BY: LANDPLAN CONSULTANTS 1119 VINEY 2ND DRIVE TULSA, OK 74107 918.554.6456
Design	JM 7/16	Tulsa County
Drawn	JM/BB 8/16	
Checked	KF/JM 6/17	
Approved		
Squad	LandPlan	STATE JOB NO. 28844(04)
CROSS SECTIONS SHEET (3)		Sheet No. 46 of 62